



P1S-DIP

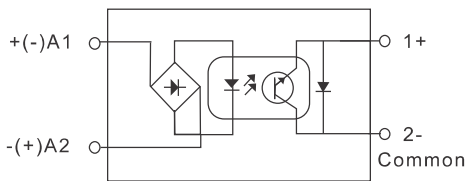
Solid state relay for Input Application

**DC Resistive load
Common Positive Output**

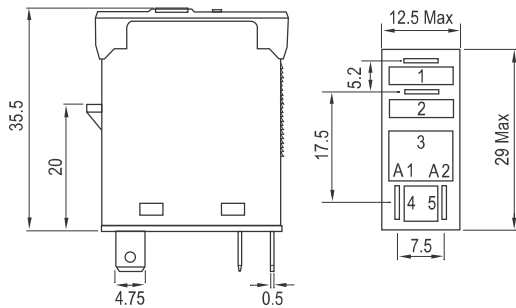
One Open Contact
100mAmps @ 32VDC Max



P1S-DIP



Dimensions in mm.



Input Paramounts

Nominal Input Voltage	Operating Voltage Range
5 VDC	4V - 6V
12 VDC	9.6V - 14.4V
24 VDC	19.2V - 28.8V
48 VDC	38.4V - 57.6V
110 VDC	88V - 132V
220 VDC	176V - 240V
115 VDC	92V - 138V
230 VDC	184V - 240V
100-240 VDC	90V - 250V

Input Current
5 / 12 / 24 / 48 / 110 / 220 VDC
115 / 230 / 100-240 VAC } 4mA max

Output, Instantaneous

Max. Output Current 100mA DC
Max. Output Voltage 32VDC
Max. Voltage Drop 1.5VDC
Max. Leakage Current 100micro Amps
Maust Drop Out Vpltage 10% of Rated Voltage

Specifications

Isolation Between Input / Output 4 Kv / 1min.
Operate Time @ Rated Voltage 5 msecs Max.
Release Time @ Rated Voltage 5 msecs Max.
Working Temperature Max. 60°C
Storage Temperature -40° C.to +85°C
Weight 28gr. Max.

Application

for input. applications. for PLC controller.
for low current / low voltage DC signaling application

Standard Types

Dc : 5V, 12V, 24V, 48V, 110V, 220V. P1S - DIP input Voltage
AC 50 Hz.: 115V, 230V P1S - DIPVDC
AC 50 Hz.: 100V, 240V P1S - DIPVDC
P1S - DIPW

Approvals

